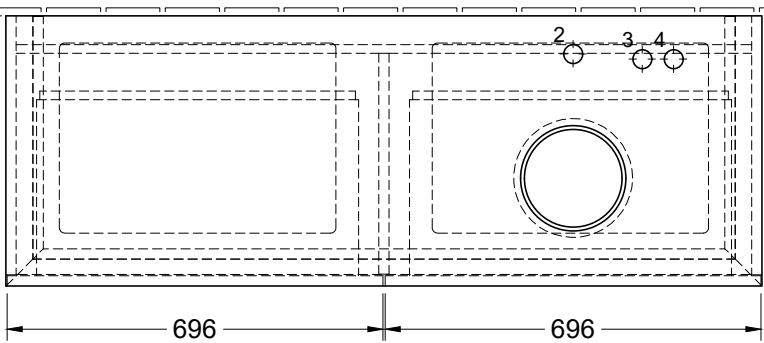



N $\frac{1}{2}$ L
 ○○○ 220 - 240V



| | 1 | 2 | 3 | 4 | H2 | A1 |
|--------------|---|---|---|---|------|-----|
| 5144 00 / 01 | X | | X | X | 1010 | 590 |
| 5148 00 / 01 | X | X | X | X | 1010 | 590 |
| 5149 00 / 01 | X | X | X | X | 1010 | 590 |
| 5149 10 / 11 | X | | | | 1010 | 590 |
| 5151 00 / 01 | X | X | X | X | 1010 | 590 |
| 5151 10 / 11 | X | | | X | 1010 | 590 |
| 5154 00 / 01 | X | X | | | 1010 | 590 |
| 4110 45 | X | | | X | 1090 | 600 |
| 4110 60 | X | X | | | 1090 | 600 |
| 4132 60 / 61 | X | | X | | 1070 | 630 |
| 4125 40 / 41 | X | | X | X | 1070 | 630 |
| 4179 43 | X | | X | X | 1090 | 590 |
| 4198 61 | X | | | X | 1090 | 590 |
| 4172 58 | X | X | | | 1070 | 590 |
| 4178 41 | X | | | | 1070 | 580 |
| 4A1840 | X | | X | X | 1090 | 590 |
| 4A2138 | X | X | | X | 1090 | 590 |
| 4A1956 | X | X | X | X | 1090 | 590 |
| 4A2056 | X | X | X | X | 1090 | 590 |

| | | |
|-------------------------------|------|---|
| Legato B58900XX / B589L0XX | |  Villeroy & Boch 1748 |
| V01 / 29.08.2019 | 1:12 | |